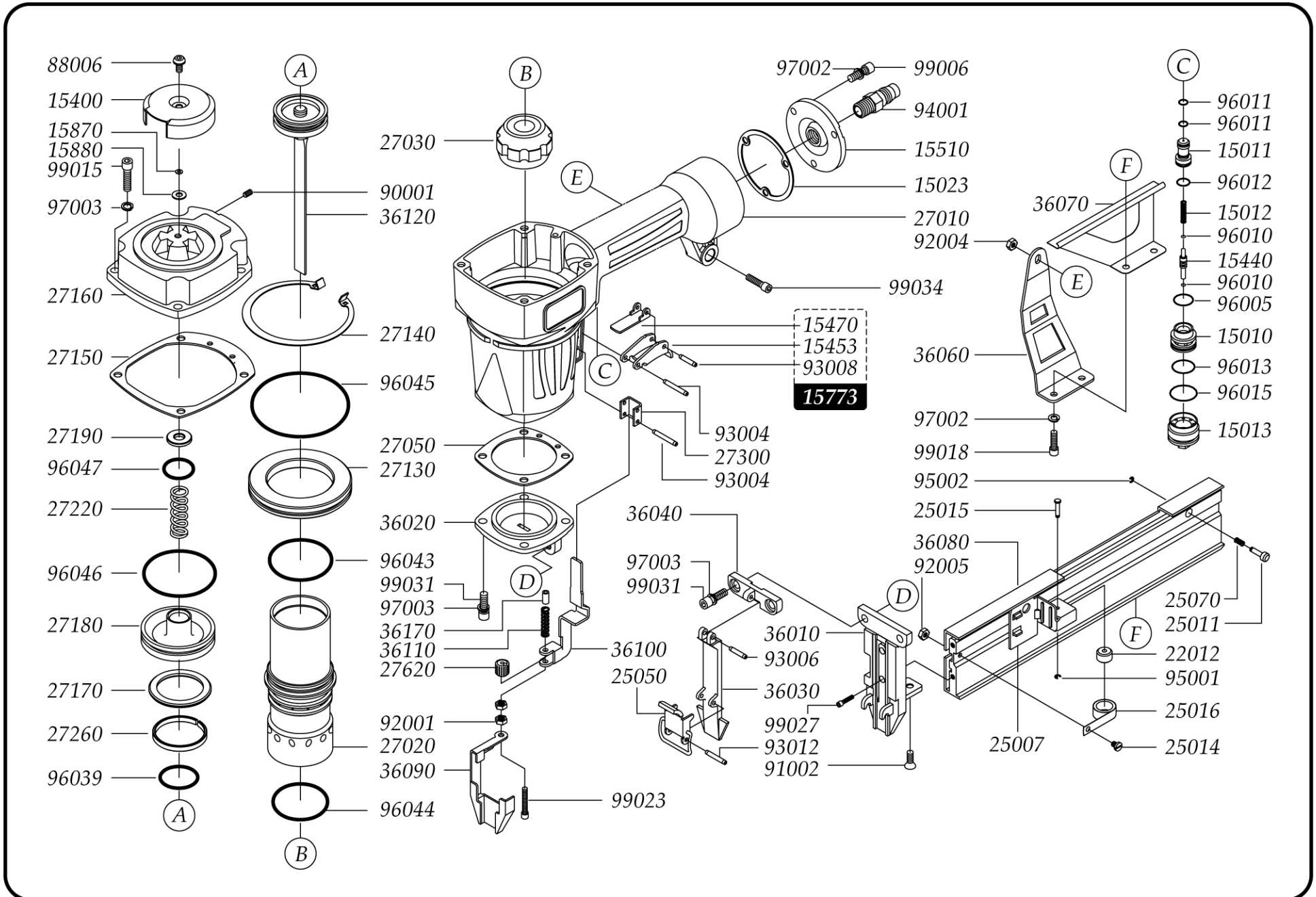


GreX 1151

16 Gauge 2" Length 7/16" Crown Stapler

EXPLODED DIAGRAM



Grex 1151

16 Gauge 2" Length 7/16" Crown Stapler

PARTS LIST

Part No.	Description
15010	Trigger Valve Head
15011	Trigger Valve
15012	Spring
15013	Trigger Valve Guide
15023	Inlet Cap Gasket
15400	Deflector
15440	Trigger Valve Stem
15453	Primary Trigger
15470	Secondary Trigger
15510	End Cap
15773	Standard Trigger Assembly
15870	Seal
15880	Seal
22012	Roller
25007	Pusher
25011	Button
25014	Slot Screw
25015	Shaft
25016	Roller Spring
25050	Nose Cover Latch
25070	Spring
27010	Gun Body
27020	Cylinder
27030	Bumper
27050	Bottom Gasket
27130	Cylinder Spacer
27140	C-Ring
27150	Cap Gasket
27160	Cap
27170	Collar
27180	Head Valve Piston
27190	Seal
27220	Spring
27260	Piston O-Ring
27300	Safety Guide
27620	Adjust Wheel
36010	Nose
36020	Bottom Cap
36030	Nose Cover A
36040	Nose Cover B
36060	Latch Bracket
36070	Plate

Part No.	Description
36080	Magazine
36090	Safety A
36100	Safety B
36110	Spring
36120	Piston Ram Assembly
36170	Sleeve
88001	Hex. Soc. Head Screw
88006	Hex. Soc. Head Screw
90001	Hex. Soc. Head Set Screw
91002	Hex. Soc. Head Screw
92001	Lock Nut
92004	Lock Nut
92005	Lock Nut
93004	Spring Pin
93006	Spring Pin
93008	Spring Pin
93012	Spring Pin
94001	Coupling Plug
95001	E-Ring
95002	E-Ring
96005	O-Ring
96010	O-Ring
96011	O-Ring
96012	O-Ring
96013	O-Ring
96015	O-Ring
96039	O-Ring
96043	O-Ring
96044	O-Ring
96045	O-Ring
96046	O-Ring
96047	O-Ring
97002	Spring Washer
97003	Spring Washer
99006	Hex. Soc. Head Screw
99015	Hex. Soc. Head Screw
99018	Hex. Soc. Head Screw
99023	Hex. Soc. Head Screw
99027	Hex. Soc. Head Screw
99031	Hex. Soc. Head Screw
99034	Hex. Soc. Head Screw