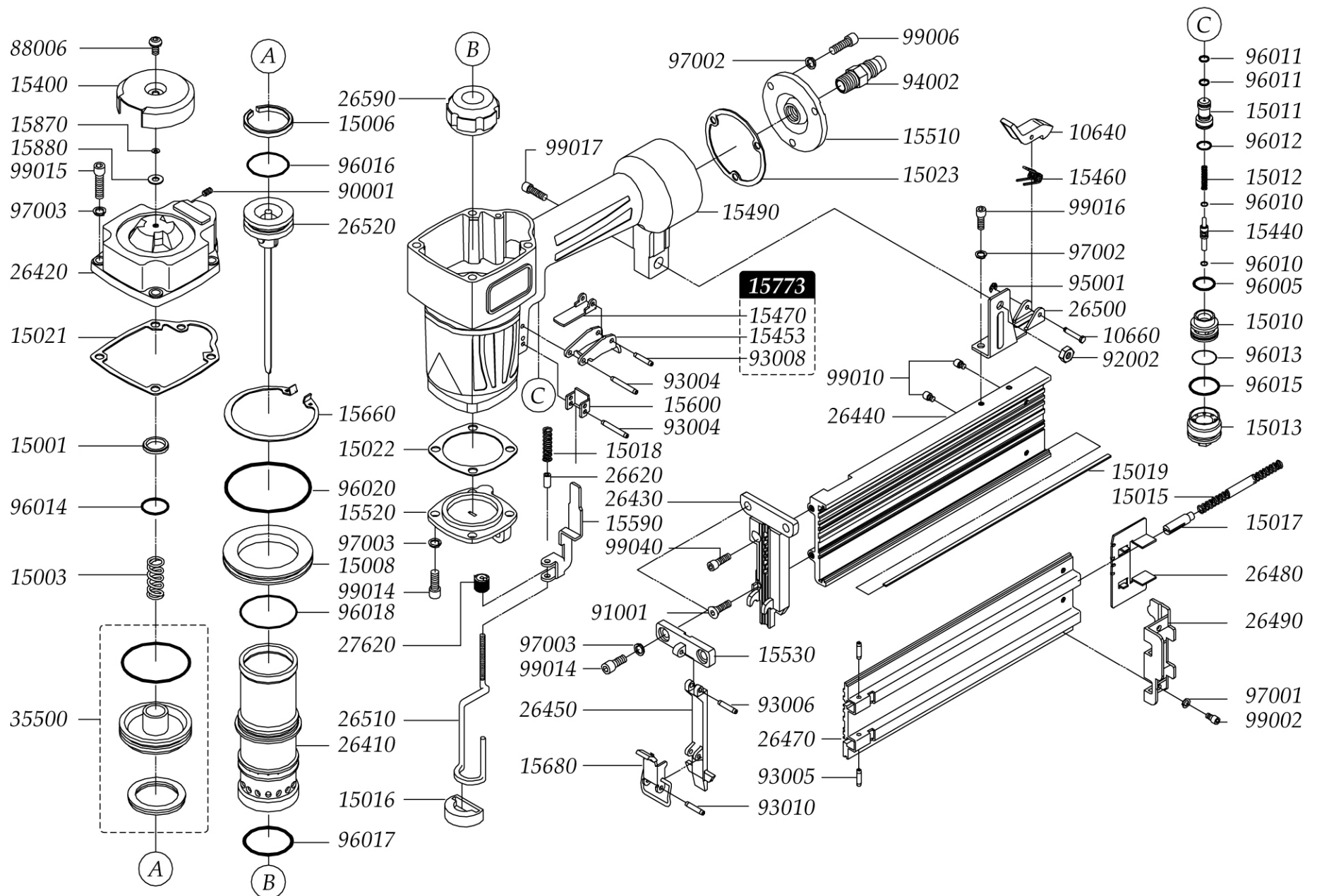


# GreX 1664

16 Gauge 2-1/2" Length Finish Nailer

## EXPLODED DIAGRAM



# Grex 1664

# PARTS LIST

## 16 Gauge 2-1/2" Length Finish Nailer

Part No.	Description
10640	Latch
10660	Pin
15001	Seal
15003	Spring
15006	Piston O-Ring
15008	Cylinder Spacer
15010	Trigger Valve Head
15011	Trigger Valve
15012	Spring
15013	Trigger Valve Guide
15015	Spring
15016	Rubber Tip
15017	Shaft
15018	Spring
15019	Steel Plate
15021	Cap Gasket
15022	Bottom Gasket
15023	Inlet Cap Gasket
15400	Deflector
15440	Trigger Valve Stem
15453	Primary Trigger
15460	Spring
15470	Secondary Trigger
15490	Gun Body
15510	End Cap
15520	Bottom Cap
15530	Nose Cover B
15590	Safety B
15600	Safety Guide
15660	C-Ring
15680	Nose Cover Latch
15773	Standard Trigger Assembly
15870	Seal
15880	Seal
26410	Cylinder
26420	Cap
26430	Nose
26440	Magazine
26450	Nose Cover A
26470	Magazine Cover
26480	Pusher

Part No.	Description
26490	Latch Plate
26500	Latch Bracket
26510	Safety A
26520	Piston Ram Assembly
26590	Bumper
26620	Sleeve
27620	Adjust Wheel
35500	Head Valve Assembly
88006	Hex. Soc. Head Screw
90001	Hex. Soc. Head Set Screw
91001	Hex. Soc. Flat Head Screw
92002	Lock Nut
93004	Spring Pin
93005	Spring Pin
93006	Spiral Pin
93008	Spring Pin
93010	Spiral Pin
94001	Coupling Plug
95001	E-Ring
96005	O-Ring
96010	O-Ring
96011	O-Ring
96012	O-Ring
96013	O-Ring
96014	O-Ring
96015	O-Ring
96016	O-Ring
96017	O-Ring
96018	O-Ring
96020	O-Ring
97001	Spring Washer
97002	Spring Washer
97003	Spring Washer
99002	Hex. Soc. Head Screw
99006	Hex. Soc. Head Screw
99010	Hex. Soc. Head Screw
99014	Hex. Soc. Head Screw
99015	Hex. Soc. Head Screw
99016	Hex. Soc. Head Screw
99017	Hex. Soc. Head Screw
99040	Hex. Soc. Head Screw