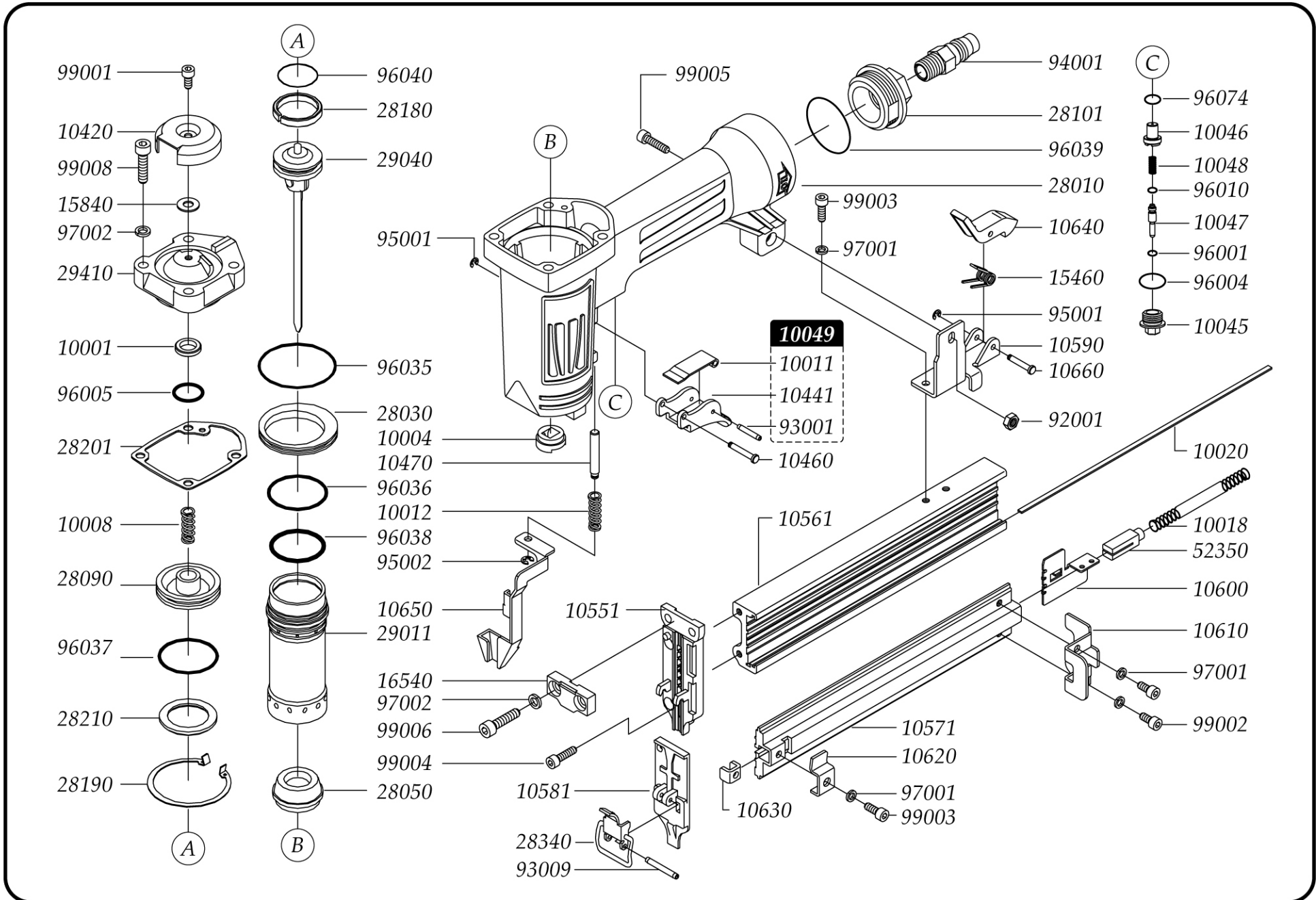


GreX 1832

18 Gauge 1-1/4" Length Brad Nailer

EXPLODED DIAGRAM



Grex 1832

18 Gauge 1-1/4" Length Brad Nailer

PARTS LIST

Part No.	Description
10001	Seal
10004	Ram Guide
10008	Spring
10011	Secondary Trigger
10012	Spring
10018	Spring
10020	Steel Plate
10045	Trigger Valve Guide
10046	Trigger Valve Head
10047	Trigger Valve Stem
10048	Spring
10049	Trigger Assembly
10420	Deflector
10441	Primary Trigger
10460	Stepped Pin
10470	Rod
10551	Nose
10561	Magazine (10560)
10571	Magazine Cover (10570)
10581	Nose Cover A
10590	Latch Bracket
10600	Pusher
10610	Latch Plate
10620	Bracket
10630	Bracket
10640	Latch
10650	Safety
10660	Pin
15460	Spring
15840	Seal
16540	Nose Cover B
28010	Gun Body
28030	Cylinder Spacer
28050	Bumper
28090	Head Valve Piston
28101	End Cap

Part No.	Description
28180	Piston O-Ring
28190	C-Ring
28201	Cap Gasket
28210	Collar
28340	Nose Cover Latch
29011	Cylinder
29040	Piston Ram Assembly
29410	Cap
52350	Shaft
92001	Lock Nut
93001	Spring Pin
93009	Spring Pin
94001	Coupling Plug
95001	E-Ring
95002	E-Ring
96001	O-Ring
96004	O-Ring
96005	O-Ring
96010	O-Ring
96035	O-Ring
96036	O-Ring
96037	O-Ring
96038	O-Ring
96039	O-Ring
96040	O-Ring
96074	O-Ring
97001	Spring Washer
97002	Spring Washer
99001	Hex. Soc. Head Screw
99002	Hex. Soc. Head Screw
99003	Hex. Soc. Head Screw
99004	Hex. Soc. Head Screw
99005	Hex. Soc. Head Screw
99006	Hex. Soc. Head Screw
99008	Hex. Soc. Head Screw